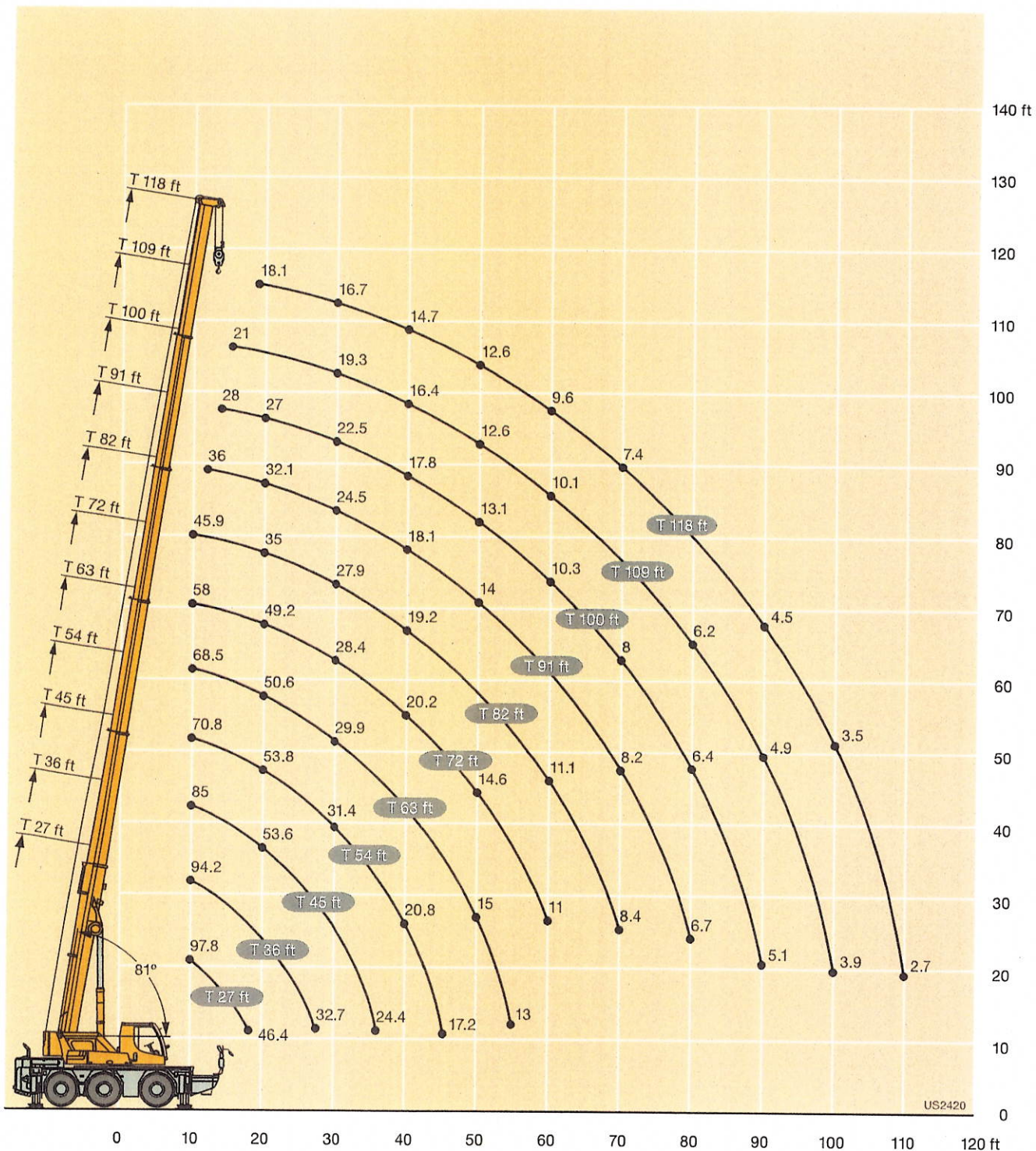


S1519

$R_1$  = Allradlenkung / All-wheel steering / Direction toutes roues



US2420