



LC785-8B Crawler Crane

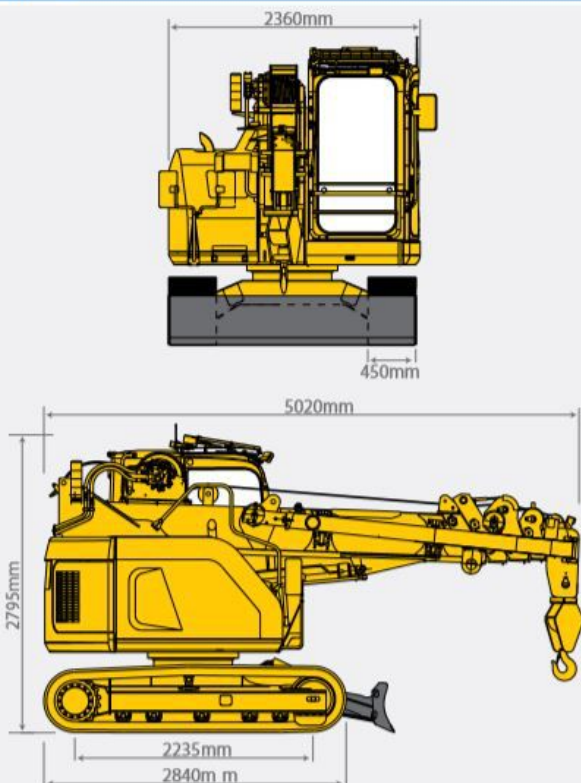
Specifications

Capacity	Maximum	4.9t x 2.1m
Working Radius	Maximum	14.52m x 200kg
Lifting Height	Maximum	18.35m x 1400kg (20.3m x 430kg with Fly-Jib)
Dimensions	LC785B	5020mm x 2380mm x 2795mm
Weight	LC785B	10250kg (10420kg with Fly-Jib)
Hook Block Weight		90kg
Hook Speed	Two Speed	29/43m / min (4 falls, 4th layer)
Single Line Speed	Two Speed	116/172m / min (4th layer)
Hoist Rope	Type	IWRC 6 x Fi (29) Ø 10mm x 115m
Telescopic System	Boom length Telescoping speed Boom type	4.63m - 15.83m 11m / 25 sec. Fully automatic 5 section pentagonal telescopic boom
Boom Hoist System	Hoist angle / speed	-2° to 80° / 13.5 sec.
Slew System	Slew angle / speed	360° continuous / 2.2 rpm
Drive	Type	Independent steering controls, hydraulic piston motor with built-in automatic brake, planet reduction gears, sprocket and crawler.
Traction Speed	Low High Gradability Ground length x width Ground pressure	0 - 2.5km/h 0 - 4.5km/h 20° 2235mm x 450mm (Track dimensions) 0.51 kgf / cm ² (0.52 kgf / cm ² with Fly-Jib)
Engine	Model Type Rated output Starting method Fuel tank capacity	Komatsu SAA4D95LE-5 4 cylinder diesel, water cooled, direct injection 42.8 kW / 1950 rpm Electric Diesel / 140L
Standard Equipment		Moment limiter, steel tracks, overwind protection, hydraulic safety valves, level, EMO switch, LED working status lamp, air conditioning, 4-fall / 2-fall hook block, working light, hour-meter, tilt alarm, data logger, blade with interlock system.
Optional Equipment		Single fall hook block, rubber pads (black or white), fly-jib.

Maximum Reach Below Ground Level

Four Fall	Two Fall	Single Fall
25.6m	52.0m	104.0m

Dimensions



Total rated load

4.63m boom		7.38m boom		10.13m boom		12.88m boom		15.63m boom	
Working radius (m)	Total rated load (kg)	Working radius (m)	Total rated load (kg)	Working radius (m)	Total rated load (kg)	Working radius (m)	Total rated load (kg)	Working radius (m)	Total rated load (kg)
2	4900	2	4900	2	2600	2	2000	2	
2.5	3800	2.5	3760	2.5	2600	2.5	2000	2.5	1400
3	2900	3	2980	3	2310	3	2000	3	1400
3.5	2290	3.5	2420	3.5	2010	3.5	1890	3.5	1400
		4	2000	4	1750	4	1650	4	1400
		4.5	1670	4.5	1530	4.5	1450	4.5	1320
		5	1400	5	1340	5	1280	5	1200
		6	1000	6	1030	6	1010	6	990
				7	780	7	800	7	820
				8	580	8	630	8	680
				9	410	9	500	9	560
						10	390	10	450
						11	300	11	360
								12	280
								13	210
								14	200
								14.52	200

Pick & Carry Duties

4.63m boom		7.38m boom		10.13m boom	
Working radius (m)	Total rated load (kg)	Working radius (m)	Total rated load (kg)	Working radius (m)	Total rated load (kg)
2	2000	2	2000	2	1400
2.5	2000	2.5	2000	2.5	1400
3	1670	3	1700	3	1360
3.5	1330	3.5	1380	3.5	1170
		4	1140	4	1020
		4.5	960	4.5	890
		5	810	5	770
		5.5	690	5.5	680
		6	590	6	590
		6.27	540	6.27	550
				6.5	510
				7	440
				7.5	380
				8	320
				8.5	270
				9	230
				9.02	230

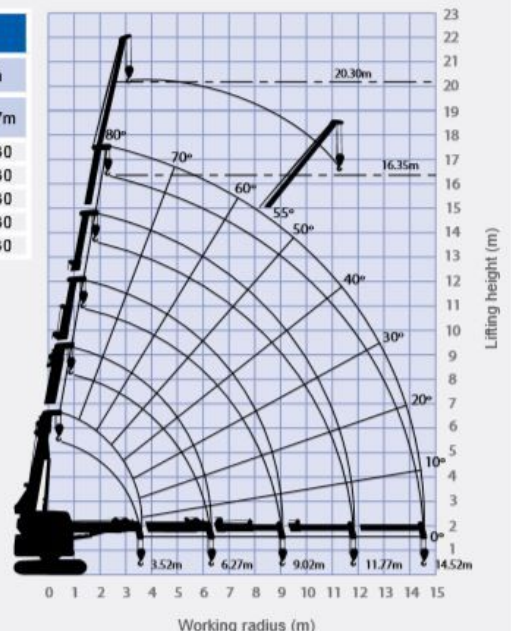
Pick & Carry duties are available at boom lengths up to 10.13 metres.

The Total Rated Load Charts are based on the actual working radius including boom deflection. The weight of the hook (standard 4 fall - 90kg) must be included as part of the load shown in the Total Rated Load Charts.

When using two fall or single fall hooks, use the appropriate four fall Total Rated Load Chart above but with a maximum load of: Two Fall - 2450kg, Single Fall - 1220kg.

Working Range Diagram & Fly Jib total rated load chart

Fly Jib		
Boom angle (deg)	Jib length	
	3.0m	4.7m
80	430	430
70	430	430
65	330	330
60	230	230
55	130	130



The Working Range Chart does not take into account boom deflection under load.