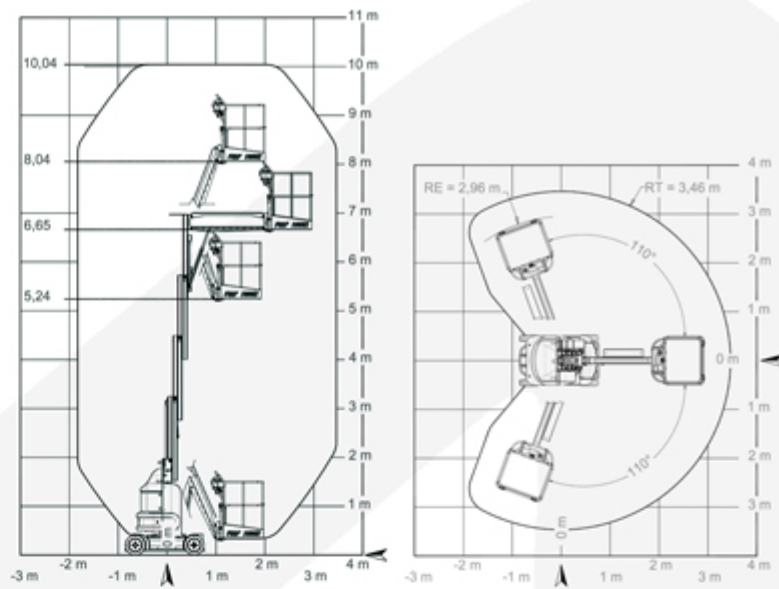
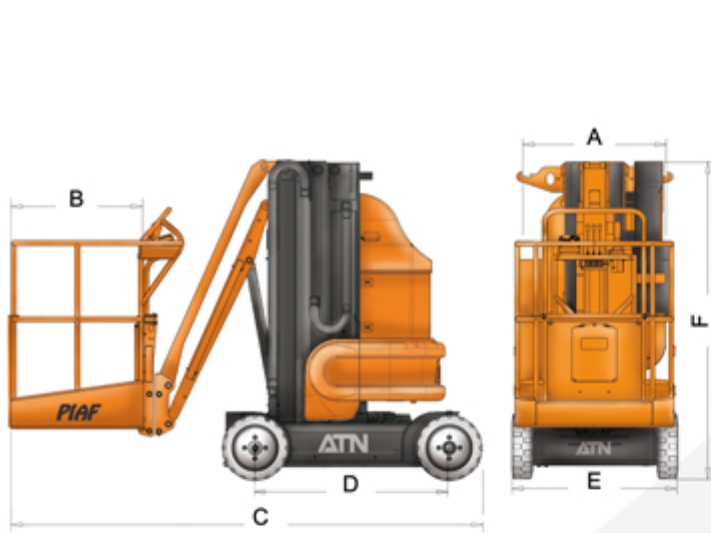




# PIAF 880R / 1000R

Mast boom lift PIAF 880R





# PIAF 880R / 1000R

## ADVANTAGES OF PIAF 880R

- Efficiency thanks to the 2 x 110° rotation of the top.
- Smooth operating thanks to the hydraulic joystick.
- Easy to maintain.
- Outstanding operating range (high-capacity battery).
- Designed and manufactured for heavy-duty use.

## STANDARD FEATURES

- Non-marking rubber tyres.
- Progressive hydraulic joystick transmission.
- Driving operated by a hydraulic joystick.
- 575 Ah 24 V centralized battery filling system.
- 85 A battery charger.
- 3 drive speeds.
- Lifting facilities.
- Emergency hand-pump.
- Battery indicator with 80% discharge cut-off.
- Tilt indicator with buzzer.
- Overload sensor.
- Hour meter.
- Strong large size platform.

## OPTIONS

- Air line to platform.
- 220V AC power to platform.
- Automatic power cut-off if tilt value >2°.
- Flashing light.
- Motion alarm.
- Special paint colour(s).

CE This product complies with European regulations in force (EN 280). Due to our constant improvement policy, ATN reserves the right to make any modifications without any prior notice.



Rue André Thevet,

Z.I. Guillaume Mon Amy Fauillet 47400 FRANCE

+33 (0) 553 798 320 +33 (0) 553 880 107

<http://www.atnplatforms.com>

	PIAF 880R	PIAF 1000R
Working height	8,80 M (28 ft. 10,45 in. ft.)	10,04 M (32ft. 11,29 in.)
Platform height	6,80 M (22 ft. 4,45 in. ft.)	8,04 M (26 ft. 4,54 in.)
Horizontal reach	3,36 M (11 ft.)	3,46 M (11ft. 4,22 in.)
Lift capacity (indoor, 2 persons, no wind)	200 Kg (441 lbs.)	200 Kg (441 lbs.)
Lift capacity (outdoor, 1 person, wind <28 mph)	120 Kg (264,6 lbs.)	120 Kg (264,6 lbs.)
Turntable rotation	2x110 °	2x110 °
<b>A</b> Platform width	0,90 M (2 ft. 9,5 in.)	0,90 M (2 ft. 9,5 in.)
<b>B</b> Platform length	0,80 M (2 ft. 6,2 in.)	0,80 M (2 ft. 6,2 in.)
<b>C</b> Length	2,82 M (9 ft. 25,18 in.)	2,93 M (9 ft. 6,27 in.)
<b>E</b> Width	1,03 M (3 ft. 3,4 in.)	1,03 M (3 ft. 3,4 in.)
<b>F</b> Height - stowed	1,98 M (6 ft. 6,49 in.)	1,98 M (6 ft. 6,49 in.)
<b>D</b> Wheelbase	1,20 M (3 ft. 11,24 in.)	1,20 M (3 ft. 11,24 in.)
Drive speed - stowed	4,8 Km/h (2,98 Mph)	4,8 Km/h (2,98 Mph)
Drive speed - raised	1,0 Km/h (0,62 Mph)	1,0 Km/h (0,62 Mph)
Gradeability - stowed	20 %	20 %
Maximum tilt value	2 °	2 °
Weight	2600 Kg (5733 lbs.)	2980 Kg (6571 lbs.)
Max. ground bearing pressure	8,4 Kg/cm <sup>2</sup> (105 psi / in. <sup>2</sup> )	9,5 Kg/cm <sup>2</sup> (119 psi / in. <sup>2</sup> )

